

## IEC 60529 IPX3 IPX4 Hand-held Spray Nozzle



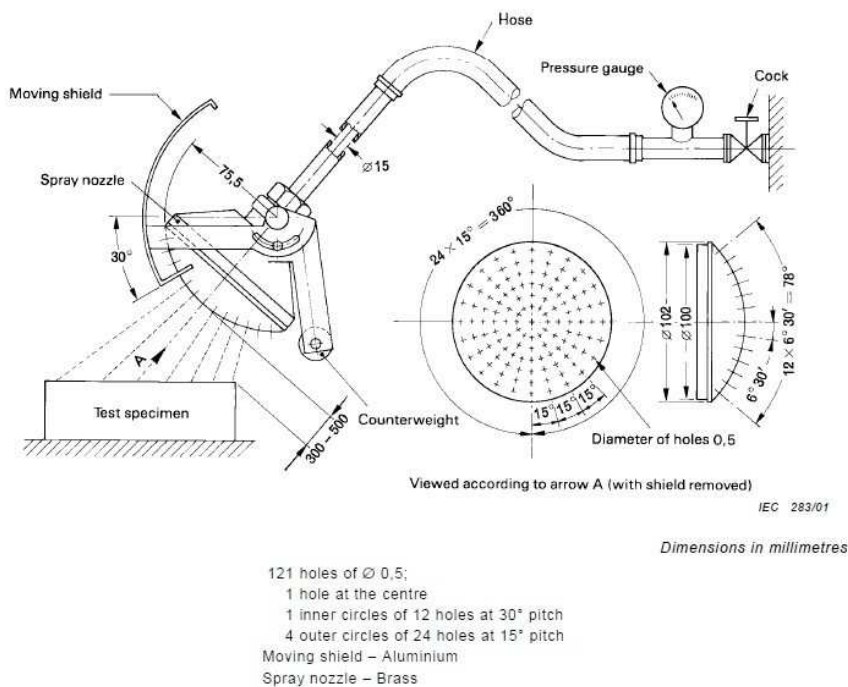
### Introduction:

It's strictly designed according to IEC60529 Figure 5, Used to test the waterproof performance of appliance and electric appliance with the rain protection function.

### Application:

The IPX3 IPX4 Hand-held Spray Nozzle intended for use on specimens that will not fit within the diameter of the Oscillating Tube Tester.

The difference between IPX3 and IPX4 is that the baffle should be removed in the IPX4 test.



**Figure 5 – Hand-held device to verify protection against spraying and splashing water; second characteristic numerals 3 and 4 (spray nozzle)**

**Specifications:**

No.	Item	Parameter
1	Water supply	Water flow rate is 0.05 ~ 0.15 Mpa clean water without inclusion.
2	Spray nozzle parameters	<p>External diameter: <math>\Phi 102</math> mm</p> <p>spherical diameter: <math>S\Phi 75.5</math> mm</p> <p>There is a middle hole and There are 24 holes in the internal circle of holes of which the included angle is <math>30^\circ</math>. There are 96 holes in the external circle of holes of which the included angle is <math>15^\circ</math>. 121 holes in total.</p> <p>The hole diameter: <math>\Phi 0.5</math> mm</p> <p>It is made of brass.</p>
3	Water flow	10L/min $\pm$ 5%
4	Reference	IEC60529 IPX3 IPX4.
5	Baffle	Removable
6	Pressure gauge	0~0.25MPa
7	Site requirements	Dedicated IP waterproof test room, The ground should be flat with illumination, With good function of inflow and drainage.

