



BSI Standards Publication

**Comfort fans and regulators for household
and similar purposes – Methods for measuring
performance (IEC 60879:2019)**

<http://www.china-gauges.com/>

National foreword

This British Standard is the UK implementation of EN IEC 60879:2019. It is identical to IEC 60879:2019. It supersedes BS 5060:1987, which is withdrawn.

The UK participation in its preparation was entrusted to Technical Committee CPL/59, Performance of household electrical appliances.

A list of organizations represented on this committee can be obtained on request to its secretary.

This publication does not purport to include all the necessary provisions of a contract. Users are responsible for its correct application.

© The British Standards Institution 2019
Published by BSI Standards Limited 2019

ISBN 978 0 580 95489 4

ICS 23.120

Compliance with a British Standard cannot confer immunity from legal obligations.

This British Standard was published under the authority of the Standards Policy and Strategy Committee on 31 July 2019.

Amendments/corrigenda issued since publication

Date	Text affected
------	---------------

EUROPEAN STANDARD
NORME EUROPÉENNE
EUROPÄISCHE NORM

EN IEC 60879

July 2019

ICS 23.120

English Version

**Comfort fans and regulators for household and similar purposes
- Methods for measuring performance
(IEC 60879:2019)**

Ventilateurs de confort et régulateurs de vitesse pour applications domestiques et analogues - Méthodes de mesure de l'aptitude à la fonction
(IEC 60879:2019)

Komfortventilatoren und Regler für den Hausgebrauch und ähnliche Zwecke - Verfahren zur Messung der Gebrauchseigenschaften
(IEC 60879:2019)

This European Standard was approved by CENELEC on 2019-06-26. CENELEC members are bound to comply with the CEN/CENELEC Internal Regulations which stipulate the conditions for giving this European Standard the status of a national standard without any alteration.

Up-to-date lists and bibliographical references concerning such national standards may be obtained on application to the CEN-CENELEC Management Centre or to any CENELEC member.

This European Standard exists in three official versions (English, French, German). A version in any other language made by translation under the responsibility of a CENELEC member into its own language and notified to the CEN-CENELEC Management Centre has the same status as the official versions.

CENELEC members are the national electrotechnical committees of Austria, Belgium, Bulgaria, Croatia, Cyprus, the Czech Republic, Denmark, Estonia, Finland, France, Germany, Greece, Hungary, Iceland, Ireland, Italy, Latvia, Lithuania, Luxembourg, Malta, the Netherlands, Norway, Poland, Portugal, Republic of North Macedonia, Romania, Serbia, Slovakia, Slovenia, Spain, Sweden, Switzerland, Turkey and the United Kingdom.

<http://www.china-gauges.com/>



European Committee for Electrotechnical Standardization
Comité Européen de Normalisation Electrotechnique
Europäisches Komitee für Elektrotechnische Normung

CEN-CENELEC Management Centre: Rue de la Science 23, B-1040 Brussels

European foreword

The text of document 59L/171/FDIS, future edition 2 of IEC 60879, prepared by SC 59L "Small household appliances" of IEC/TC 59 "Performance of household and similar electrical appliances" was submitted to the IEC-CENELEC parallel vote and approved by CENELEC as EN IEC 60879:2019.

The following dates are fixed:

- latest date by which the document has to be implemented at national level by publication of an identical national standard or by endorsement (dop) 2020-03-26
- latest date by which the national standards conflicting with the document have to be withdrawn (dow) 2022-06-26

Attention is drawn to the possibility that some of the elements of this document may be the subject of patent rights. CENELEC shall not be held responsible for identifying any or all such patent rights.

Endorsement notice

The text of the International Standard IEC 60879:2019 was approved by CENELEC as a European Standard without any modification.

In the official version, for Bibliography, the following notes have to be added for the standards indicated:

IEC 60335-2-80	NOTE	Harmonized as EN 60335-2-80
IEC 60665	NOTE	Harmonized as EN IEC 60665
IEC 61000-3-2	NOTE	Harmonized as EN IEC 61000-3-2
IEC 61000-3-3	NOTE	Harmonized as EN 61000-3-3
CISPR 14-1	NOTE	Harmonized as EN 55014-1
CISPR 14-2	NOTE	Harmonized as EN 55014-2

Annex ZA
(normative)

**Normative references to international publications
with their corresponding European publications**

The following documents are referred to in the text in such a way that some or all of their content constitutes requirements of this document. For dated references, only the edition cited applies. For undated references, the latest edition of the referenced document (including any amendments) applies.

NOTE 1 Where an International Publication has been modified by common modifications, indicated by (mod), the relevant EN/HD applies.

NOTE 2 Up-to-date information on the latest versions of the European Standards listed in this annex is available here: www.cenelec.eu.

<u>Publication</u>	<u>Year</u>	<u>Title</u>	<u>EN/HD</u>	<u>Year</u>
IEC 60704-2-7	-	Household and similar electrical appliances - Test code for the determination of airborne acoustical noise - Part 2-7: Particular requirements for fans	EN 60704-2-7	-
IEC 62301	-	Household electrical appliances - Measurement of standby power	EN 50564	-

<http://www.china-gauges.com/>

<http://www.china-gauges.com/>

CONTENTS

FOREWORD	3
1 Scope	5
2 Normative references	5
3 Terms and definitions	5
4 Information provision	7
5 Tests	7
5.1 General conditions for testing	7
5.1.1 Atmospheric conditions	7
5.1.2 Conditioning of test equipment	7
5.1.3 Voltage and frequency	7
5.1.4 Running-in of the fan	8
5.1.5 Operation of the fan	8
5.1.6 Conditioning prior to each test	8
5.2 Testing of air performance	8
5.2.1 Ceiling fans	8
5.2.2 Comfort fans other than ceiling fans	9
5.3 Measurement of regulator performance	12
5.3.1 Measurement of the regulation ratio for comfort fans other than bladeless fans	12
5.3.2 Measurement of the regulation ratio for bladeless fans	12
5.4 Measurement of fan power input	12
5.5 Measurement of sound power level	12
5.6 Measurement of standby power	13
Annex A (informative) Positioning of 4 anemometers in horizontal and vertical directions	16
Annex B (informative) Dimensions, measuring ranges and accuracies of some vane anemometers	17
Annex C (normative) Setting air flow direction for tower fans	18
Bibliography	19
Figure 1 – Arrangement of test chamber and outer screen for ceiling fans http://www.china-gauges.com/	13
Figure 2 – Plan of test chamber and outer screen for ceiling fans	14
Figure 3 – Measurement configuration for bladeless fans and tower fans	15
Figure A.1 – Configuration of 4 anemometers for conventional fans	16
Figure B.1 – Typical anemometers for use when testing bladeless fans and tower fans	17
Figure C.1 – Tower fan positioning	18

INTERNATIONAL ELECTROTECHNICAL COMMISSION

**COMFORT FANS AND REGULATORS
FOR HOUSEHOLD AND SIMILAR PURPOSES –
METHODS FOR MEASURING PERFORMANCE**

FOREWORD

- 1) The International Electrotechnical Commission (IEC) is a worldwide organization for standardization comprising all national electrotechnical committees (IEC National Committees). The object of IEC is to promote international co-operation on all questions concerning standardization in the electrical and electronic fields. To this end and in addition to other activities, IEC publishes International Standards, Technical Specifications, Technical Reports, Publicly Available Specifications (PAS) and Guides (hereafter referred to as "IEC Publication(s)"). Their preparation is entrusted to technical committees; any IEC National Committee interested in the subject dealt with may participate in this preparatory work. International, governmental and non-governmental organizations liaising with the IEC also participate in this preparation. IEC collaborates closely with the International Organization for Standardization (ISO) in accordance with conditions determined by agreement between the two organizations.
- 2) The formal decisions or agreements of IEC on technical matters express, as nearly as possible, an international consensus of opinion on the relevant subjects since each technical committee has representation from all interested IEC National Committees.
- 3) IEC Publications have the form of recommendations for international use and are accepted by IEC National Committees in that sense. While all reasonable efforts are made to ensure that the technical content of IEC Publications is accurate, IEC cannot be held responsible for the way in which they are used or for any misinterpretation by any end user.
- 4) In order to promote international uniformity, IEC National Committees undertake to apply IEC Publications transparently to the maximum extent possible in their national and regional publications. Any divergence between any IEC Publication and the corresponding national or regional publication shall be clearly indicated in the latter.
- 5) IEC itself does not provide any attestation of conformity. Independent certification bodies provide conformity assessment services and, in some areas, access to IEC marks of conformity. IEC is not responsible for any services carried out by independent certification bodies.
- 6) All users should ensure that they have the latest edition of this publication.
- 7) No liability shall attach to IEC or its directors, employees, servants or agents including individual experts and members of its technical committees and IEC National Committees for any personal injury, property damage or other damage of any nature whatsoever, whether direct or indirect, or for costs (including legal fees) and expenses arising out of the publication, use of, or reliance upon, this IEC Publication or any other IEC Publications.
- 8) Attention is drawn to the Normative references cited in this publication. Use of the referenced publications is indispensable for the correct application of this publication.
- 9) Attention is drawn to the possibility that some of the elements of this IEC Publication may be the subject of patent rights. IEC shall not be held responsible for identifying any or all such patent rights.

International Standard IEC 60879 has been prepared by subcommittee 59L: Small household appliances, of IEC technical committee 59: Performance of household and similar electrical appliances

This second edition cancels and replaces the first edition published in 1986. This edition constitutes a technical revision.

This edition includes the following significant technical changes with respect to the previous edition:

- a) the definitions of fans have been revised;
- b) the test methods for the different types of fans have been revised to allow modern test instrumentation to be used;
- c) acoustic noise measurement and standby power measurement methods have been introduced.

The text of this International Standard is based on the following documents:

FDIS	Report on voting
59L/171/FDIS	59L/172/RVD

Full information on the voting for the approval of this International Standard can be found in the report on voting indicated in the above table.

This document has been drafted in accordance with the ISO/IEC Directives, Part 2.

The committee has decided that the contents of this document will remain unchanged until the stability date indicated on the IEC website under "<http://webstore.iec.ch>" in the data related to the specific document. At this date, the document will be

- reconfirmed,
- withdrawn,
- replaced by a revised edition, or
- amended.

IMPORTANT – The 'colour inside' logo on the cover page of this publication indicates that it contains colours which are considered to be useful for the correct understanding of its contents. Users should therefore print this document using a colour printer.

COMFORT FANS AND REGULATORS FOR HOUSEHOLD AND SIMILAR PURPOSES – METHODS FOR MEASURING PERFORMANCE

1 Scope

This International Standard specifies the performance-measuring methods of comfort fans and regulators for household and similar purposes, including conventional fans, tower fans and bladeless fans, their rated voltage being not more than 250 V for single-phase fans and 480 V for other fans, and their rated power input being less than 125 W.

NOTE 1 According to the testing method, the comfort fans are classified into two groups:

- pedestal fans, table fans, wall fans, louvre fans, tower fans, bladeless fans;
- ceiling fans.

Wherever applicable, the term "fan" used in this document includes its associated regulator, if any.

NOTE 2 This document does not apply to

- safety of electric fans for household and similar purposes (IEC 60335-2-80);
- performance of ventilating fans (IEC 60665);
- electromagnetic compatibility of fans (CISPR 14-1 and CISPR 14-2, IEC 61000-3-2, IEC 61000-3-3).

2 Normative references

The following documents are referred to in the text in such a way that some or all of their content constitutes requirements of this document. For dated references, only the edition cited applies. For undated references, the latest edition of the referenced document (including any amendments) applies.

IEC 60704-2-7, *Household and similar electrical appliances – Test code for the determination of airborne acoustical noise – Part 2-7: Particular requirements for fans*

IEC 62301, *Household electrical appliances – Measurement of standby power*

3 Terms and definitions

For the purposes of this document, the following terms and definitions apply.

ISO and IEC maintain terminological databases for use in standardization work. The following addresses: <http://www.china-gauges.com/>

- IEC Electropedia: available at <http://www.electropedia.org/>
- ISO Online browsing platform: available at <http://www.iso.org/obp>

NOTE When the term "voltage" is used, it implies an RMS value unless otherwise specified.

3.1

comfort fan

fan primarily designed for creating air movement around or on part of a human body for personal cooling comfort, including fans that can perform additional functionalities such as lighting

Note 1 to entry: A comfort fan is hereinafter also referred to by the term "fan".

3.2

conventional fan

comfort fan with a propeller having two or more blades, with free inlet and outlet of air

3.3**tower fan**

comfort fan for use on the floor having a vertically elongated design of the cross-flow type, tangential type, centrifugal type or impeller type with a free inlet and outlet of air

3.4**bladeless fan**

comfort fan of any type that is not fitted with a propeller

3.5**ceiling fan**

conventional fan provided with a device for suspension from the ceiling of a room so that the blades rotate in a horizontal plane with the diameter of the blade not larger than 1 800 mm

3.6**table fan**

comfort fan intended for use on a table

Note 1 to entry: Table fans have a maximum adjustable or non-adjustable height of less than 1 200 mm.

3.7**pedestal fan**

comfort fan mounted on a pedestal of fixed or variable height

Note 1 to entry: Pedestal fans have a minimum adjustable height or non-adjustable height equal to or greater than 1 200 mm.

3.8**wall bracket fan**

comfort fan for mounting on the wall

3.9**ceiling bracket fan**

comfort fan for mounting on the ceiling

3.10**louvre fan**

comfort fan having moving louvre which provides a continuously changing multi-directional air flow

3.11**rated fan flow rate**

air flow rate assigned to the fan by the manufacturer

Note 1 to entry: The rated fan flow rate is expressed in m^3/min .

<http://www.china-gauges.com/>

3.12**service value**

ratio of the calculated maximum fan flow rate [m^3/min] to the measured fan power input [W]

Note 1 to entry: The service value is also known as the "coefficient of performance (COP)".

3.13**fan power input**

power input of the fan operating at its maximum flow rate, measured with the oscillation mechanism and the moving louvre, if any, turned off

Note 1 to entry: The power inputs for other functions, such as lighting are not included.

3.14**rated voltage**

voltage assigned to the fan by the manufacturer

3.15**rated frequency**

frequency assigned to the fan by the manufacturer

3.16**maximum fan flow rate**

air flow rate of the comfort fan at its maximum setting [m^3/min], measured at the fan outlet with the oscillating mechanism and the moving louvre, if any, turned off

3.17**oscillating mechanism**

capability of the comfort fan to automatically vary the direction of the air flow while the fan is operating

3.18**fan sound power level**

A-weighted sound power level of the comfort fan while providing the maximum fan flow rate, measured at the outlet side

3.19**moving louvre**

grill provided at the air outlet of louvre fans, which is used to control the direction of the air flow by its rotation or position

3.20**equivalent sweep size diameter of bladeless fan**

value obtained by dividing the perimeter of the bladeless fan air outlet by 3,14

Note 1 to entry: The perimeter is obtained by measuring the length of the rope that wraps along the complete enclosure of the bladeless fan's air outlet.

4 Information provision

Manufacturers shall provide the following information in the instructions:

- a) rated fan flow rate m^3/min (rounded to one decimal place);
- b) service value $(\text{m}^3/\text{min})/W$ (rounded to one decimal place);
- c) standby power consumption W (rounded to one decimal place);
- d) sound power level dB(A).

5 Tests**5.1 General conditions for testing****5.1.1 Atmospheric conditions**

Unless otherwise specified, the test procedures and measurements shall be carried out under the following conditions: <http://www.china-gauges.com/>

- temperature: $20\text{ °C} \pm 5\text{ °C}$, in case of doubt the temperature shall be $23\text{ °C} \pm 2\text{ °C}$;
- relative humidity: $50\% \pm 30\%$;
- air pressure: 86 kPa to 106 kPa .

NOTE Temperature and humidity conditions within the specified ranges are required for good repeatability and reproducibility.

Care should be taken to avoid changes in temperature and relative humidity during the test.

5.1.2 Conditioning of test equipment

Measuring equipment to be used for the tests shall be stored for at least 16 h at the atmospheric conditions specified in 5.1.1 prior to the test.

5.1.3 Voltage and frequency

The tests shall be conducted at the rated voltage. Fans designed for DC only shall be operated at DC. Fans designed for both AC and DC shall be operated at AC. Fans not marked with rated frequency shall be operated at either $50\text{ Hz} \pm 1\text{ Hz}$ or $60\text{ Hz} \pm 1\text{ Hz}$ as is common in the country of use and with a total harmonic distortion $\leq 5\%$.

Unless otherwise specified, the tests are carried out at a specific test voltage within a voltage range (for example 100 V to 240 V) or at the rated voltage or rated voltages (for example 120 V or 120 V and 240 V).

The stability of the voltage shall be $\pm 1\%$.

5.1.4 Running-in of the fan

Prior to starting the tests on a new fan, it shall run at its maximum airflow setting with unrestricted air flow and with the oscillating mechanisms and moving louvres, if any, in operation for at least 1 hour to ensure adequate running-in. Any other functions such as luminaires, purifiers, humidifiers, heaters, if any, shall be connected.

5.1.5 Operation of the fan

Before starting the tests, the fan and its attachments are adjusted in accordance with the manufacturer's instructions for normal operation. Any controls shall be set for maximum continuous air flow unless the manufacturer's instruction states otherwise. Any other functions such as luminaires, purifiers, humidifiers, heaters, if any, shall be turned off.

5.1.6 Conditioning prior to each test

Prior to starting each test, the fan shall be conditioned for 30 min under the provisions given in 5.1.4 but with oscillating mechanisms and moving louvres, if any, not in operation.

5.2 Testing of air performance

5.2.1 Ceiling fans

5.2.1.1 Test chamber

The fan shall be tested in a test chamber having the following dimensions: length 4 500 mm, width 4 500 mm, height 3 000 mm (see Figure 1 and Figure 2).

The above dimensions shall have a tolerance of ± 15 mm.

The top of the test chamber shall be covered by the clapboard, except for a centrally situated circular opening (top-opening), the diameter (D) of the top opening shall be between 1,1 and 1,2 times the blade's sweep. The top clapboard in which the top opening is located shall be not more than 6 mm thick. The bottom of the test chamber is 450 mm from the ground, to leave a suitable space for air outlet.

Readings shall be taken from a position between the chamber and the outer screen, and a small shelf for electrical instruments may be provided in this space. Except for these, the space between the test chamber and the outer screen and the space inside the test chamber shall be clear of all obstructions, and any conditioning apparatus (including <http://www.china-gauges.com/>) shall have no influence on the movement of air in the test room while the test is in progress.

The room in which the test chamber and the outer screen are erected shall be suitably protected against extraneous draughts.

Any ceiling external to the test chamber or any projecting beam which might interfere with the air flow shall be not less than 1 000 mm above the top opening, i.e. not less than 4 000 mm from the ground level at this point.

The distances between the walls of the chamber and the walls of the outer screen shall be 1 000 mm to 1 250 mm.

The fan shall be placed at such a height that the plane of the fan blades is 3 000 mm \pm 10 mm from the ground level and lies in the plane of the top edge of the clapboard containing the top opening in the roof of the test chamber.

5.2.1.2 Measuring instrument

The air movement shall be measured by means of vane anemometers having an internal diameter not exceeding 100 mm.

5.2.1.3 Arrangement of apparatus

The plane of the fan blades lies in the plane of the top edge of the clapboard containing the top opening in the roof of the test chamber.

A flat plate is installed above the ceiling fan, the size of which shall be between 1,1 and 1,2 times the blade diameter. The distance between the plate and the plane of the fan blades is determined by the distance between the plane of the fan blades and the ceiling after the ceiling fan has been installed in accordance with the instructions for use.

The plane of the anemometer's vane is parallel to the plane of the fan blades. The anemometers shall be moved in either direction along both diagonals of the test chamber in a test plane $1\,500\text{ mm} \pm 10\text{ mm}$ below the plane of the fan blades. The anemometers shall be supported in such a manner as to cause as little obstruction as possible to the air flow.

5.2.1.4 Procedure for test

The measurements shall be carried out with the fan running at full speed at the test voltage.

Air velocity measurements in each of four directions shall commence at a point 40 mm from the axis of the fan blades and shall progress horizontally to the fan blade axis in increments of 80 mm along the semi-diagonals of the test chamber (3 to A, 3 to B, 3 to AA and 3 to BB in Figure 2). The measurements shall be continued in the 80-mm increments until the air velocity in each of the four directions falls below 9 m/min.

The air velocity shall be averaged over a period of 60 s using an update rate of not less than 2 Hz.

The average air velocity through each annulus is taken as the mean of the 8 air velocities obtained at each anemometer position on the inner and outer radii of the annulus. The mean radius of each annulus is equal to the mean of the inner and outer radii of the annulus. Average air velocities below 9 m/min are discarded.

5.2.1.5 Calculation of flow rate

For each annulus having an average air velocity equal to or greater than 9 m/min, the product of the area of the annulus and the average air velocity through that annulus, shall be taken as the air delivery through that annulus.

The sum of the air deliveries through all such annuli shall be taken as the measured flow rate of the fan for the purposes of this document.

No correction is made for relative humidity or air pressure.

5.2.2 Comfort fans other than ceiling fans

<http://www.china-gauges.com/>

5.2.2.1 Test chamber

The fan shall be tested in a test chamber having the following dimensions: length: 4 500 mm for the sweep size or the equivalent sweep size (for bladeless fans) not larger than 400 mm, and 6 000 mm for the sweep size or the equivalent sweep size (for bladeless fans) larger than 400 mm, width: 4 500 mm, height: 3 000 mm. The chamber shall be suitably protected from extraneous draughts.

The test chamber shall be free from obstructions other than the stand on which the fan is kept. Any table or shelf for electrical instruments shall be on the opposite side of the fan to the test plane, beyond a distance of 900 mm from the plane of fan blades for the fans other than tower fans and bladeless fans, or the plane of the air outlet for tower fans and bladeless fans.

NOTE For tower fans, the plane of the air outlet refers to the longitudinal cross-sectional plane, vertical to the central line. For bladeless fans, the plane of the air outlet refers to the outlet plane closer to the anemometers.

Any air conditioning apparatus used in the test room shall have no influence on the movement of the air in the test chamber while the test is in progress.

5.2.2.2 Arrangement of apparatus

The fan shall be located in the test chamber and arranged as follows:

The distance from the geometrical centre of the fan blades or the air outlet to the floor shall be at least:

- 1 200 mm for the sweep size or the equivalent sweep size (for bladeless fans) not larger than 400 mm; or
- 1 500 mm for the sweep size or the equivalent sweep size (for bladeless fans) larger than 400 mm.

The distance to the back wall from the plane of the air outlet for tower fans and bladeless fans or the plane of the blade for fans other than tower fans and bladeless fans shall be at least 1 200 mm.

The distance from the plane of the air outlet for tower fans and bladeless fans or the plane of the blade for fans other than tower fans and bladeless fans to the front wall shall be at least:

- 1 800 mm for the sweep size or the equivalent sweep size (for bladeless fans) not larger than 400 mm; or
- 4 000 mm for the sweep size or the equivalent sweep size (for bladeless fans) larger than 400 mm.

The distance from the geometrical centre of the air outlet or of the blade to the side walls shall be at least 1 800 mm.

NOTE It is possible to make it central as long as it is larger than 1800 mm.

When the ceiling bracket fans and the wall bracket fans are tested, they shall be mounted on a vertical 1 000 mm × 1 000 mm flat wooden board with a thickness of 20 mm ± 1mm.

The plane of the vane anemometers is parallel to the plane of the air outlet for tower fans and bladeless fans or the plane of the blade for fans other than tower fans and bladeless fans. The distance between the two planes is 3 times the sweep size or the equivalent sweep size (for bladeless fans) with a tolerance of ± 15 mm.

For tower fans, the plane of the vane anemometers is parallel to the plane of the air outlet and the distance between the two planes is 1 200 mm ± 15 mm. The tower fan is then adjusted so that the air flow direction is perpendicular to the plane of the vane anemometer. See Annex C.

The anemometer shall be supported in such a manner as to offer as little obstruction as possible to the airflow.

5.2.2.3 Testing instrument

The air movement shall be measured by means of vane anemometers suitable for the range of velocities to be measured. At least 4 vane anemometers shall be used. <http://www.china-gauges.com/>

A greater number of anemometers may be used to reduce the time taken to map the airflow of the fan under test. Care should be taken to use an even number of anemometers.

- For conventional fans, a set of vane anemometers having an internal diameter not exceeding 100 mm shall be used;
- For bladeless fans and tower fans, an airflow auto test rig is used that:
 - consists of a set of vane anemometers not exceeding 40 mm of external diameter. The size of the anemometer shall enable it to be fitted in the space of 40 mm between two anemometers. Dimensions, measuring ranges and accuracies for some vane anemometers are given in Annex B;
 - is capable of holding vane anemometers in a horizontal line or a vertical line at a spacing of 40 mm;
 - is maneuverable in the Z-axis (manually or automatically) to an accuracy of ± 2 mm;
 - is remotely controllable to move in the X-axis and Y-axis to an accuracy of ± 1 mm.

NOTE The size of the fan under test will determine the number of measurements required to capture the total airflow distribution. Before commencing a test, the airflow distribution can be checked in order to determine that the distribution fits within the limits of the adjustment of the test rig in both *Y*-axis and *X*-axis. For instance, if the test rig can be adjusted from –500 mm to +500 mm in the *X*-axis and *Y*-axis, a fan creating a distribution of 540 mm or above will not be suitable for the rig and a larger rig will be required. Conducting measurements at the extremes of the rig to ensure the airflow is below 24 m/min will identify whether the rig has a suitable amount of adjustment before the test commences.

5.2.2.4 Procedure for test for conventional fans

The measurements shall be carried out with the fan running at full speed at the test voltage, with the guard, if normally provided, in position, and with the oscillating mechanism, if any, disconnected. For the louvre fan, the moving louvre is removed.

Anemometer vanes shall be moved both horizontally and vertically with respect to the fan blades' horizontal axis, the movement being at right angles to this axis and extendable in both directions. The axis of the anemometer vanes shall always be parallel to the fan blades' horizontal axis. An example of positioning of 4 anemometers in horizontal and vertical directions is given in Annex A.

Air velocity measurements in each of four directions shall commence at a point 20 mm from the axis of the fan blades and shall progress horizontally and vertically to the fan blade axis in increments of 40 mm. The measurements shall continue in the 40 mm increments until the average air velocity in each of the four directions falls below 24 m/min.

The average air velocity shall be the average of the measurements over a period of 60 s using an update rate of not less than 2 Hz. The axis of the fan blades shall be horizontal during the test.

The average air velocity through each annulus is the mean of the 8 air velocities obtained at each anemometer position taken horizontally and vertically at each of the inner and outer radii of the annulus. The mean radius of each annulus is equal to the mean of the inner and outer radii of the annulus. Average air velocities below 24 m/min are discarded.

NOTE For conventional fans it is possible to use the test method for bladeless fans and tower fans as specified in 5.2.2.6, but it is more time consuming.

5.2.2.5 Calculation of flow rate for conventional fans

For each annulus having an average air velocity equal to or greater than 24 m/min, the product of the area of the annulus and the average air velocity through that annulus, shall be taken as the total air delivery through that annulus.

The sum of the air deliveries through all such annuli shall be taken as the measured fan flow rate of the fan for the purposes of this document.

No correction is made for relative humidity or air pressure.

<http://www.china-gauges.com/>

5.2.2.6 Procedure for test for bladeless fans and tower fans

The measurements shall be carried out with the fan running at the highest settings at the test voltage, with the guard, if normally provided, in position, and with the oscillating mechanism, if any, disconnected.

The measurements shall be taken by moving the arm of the airflow test rig supporting the anemometers as follows:

- along the *X*-axis if the anemometers are arranged along the *Y*-axis;
- along the *Y*-axis if the anemometers are arranged along the *X*-axis.

For anemometers arranged along the *X*-axis, the arm of the anemometer airflow test rig is placed at the mid-height of the air outlet of the fan.

For anemometers arranged along the *Y*-axis, the arm of the anemometer airflow test rig is placed at the mid-width of the air outlet of the fan.

Where the anemometers are arranged along the *X*-axis, the test rig is moved up along the *Y*-axis at increments of 40 mm until the measurements at all anemometer positions do not

exceed 24 m/min. The anemometer airflow test rig is then returned to its starting position and is then moved down along the *Y*-axis at increments of 40 mm until the measurements at all anemometer positions do not exceed 24 m/min.

Where the anemometers are arranged along the *Y*-axis, the test rig is moved to the left along the *X*-axis at increments of 40 mm until the measurements at all anemometer positions do not exceed 24 m/min. The anemometer airflow test rig is then returned to its starting position and is then moved to the right along the *X*-axis at increments of 40 mm until the measurements at all anemometer positions do not exceed 24 m/min.

The measurements at each position are taken approximately 1 min after positioning the anemometers.

The measurement from each anemometer shall be averaged over a period of 60 s using an update rate of not less than 2 Hz.

5.2.2.7 Calculation of flow rate for bladeless fans and tower fans

The total fan flow rate shall be calculated by assuming that each measurement point is indicative of the air velocity through a square of 40mm × 40mm centred about that point (see Figure 3). Therefore, the flow rate can be calculated by multiplying the measured air velocity by the area, *A*, of each square (see Figure 3).

The area *A* of each square = 40 mm × 40 mm = 1 600 mm² = 0,001 6 m²

If each of the air velocity measurements in m/min is U_i and the number of the squares with a air velocity measurement above 24 m/min is *N*, then the total air flow rate of the fan will equal the sum of all individual air flow rates through each square as given by:

$$\text{Total flow rate of the fan in m}^3/\text{min} = \sum_{i=1}^N (0,001\ 6\ U_i)$$

5.3 Measurement of regulator performance

5.3.1 Measurement of the regulation ratio for comfort fans other than bladeless fans

The regulators of comfort fans other than bladeless fans shall be capable of reducing the speed of the fan, expressed in r/min. The regulation ratio is measured as follows. The fan is supplied at the rated voltage and at the rated frequency. The oscillating mechanism, if any, is disconnected. The regulator is set at the highest speed position and the speed of rotation is measured. Then the regulator is set at the lowest speed position and the speed of rotation is measured. The regulation ratio is the measured speed at the lowest setting divided by the measured speed at the highest setting.

<http://www.china-gauges.com/>

5.3.2 Measurement of the regulation ratio for bladeless fans

Bladeless fans regulators shall be capable of reducing the air velocity. The regulation ratio is measured as follows. The fan is supplied at the rated voltage and at the rated frequency. The oscillating mechanism, if any, is disconnected. The regulator is set at the highest air velocity position and the air velocity is measured. Then the regulator is set at the lowest air velocity position and the air velocity is measured. The regulation ratio is the measured air velocity at the lowest setting divided by the measured air velocity at the highest setting.

5.4 Measurement of fan power input

The fan power input is measured with the fan connected to the supply at the test voltage and, for AC fans, at the test frequency. Capacitors, if any, associated with the fan shall be retained in the circuit. The regulator, if provided, shall be set at its maximum setting and the oscillating mechanism and the moving louvre, if any, shall be inoperative. Luminaires, if any, shall be disconnected.

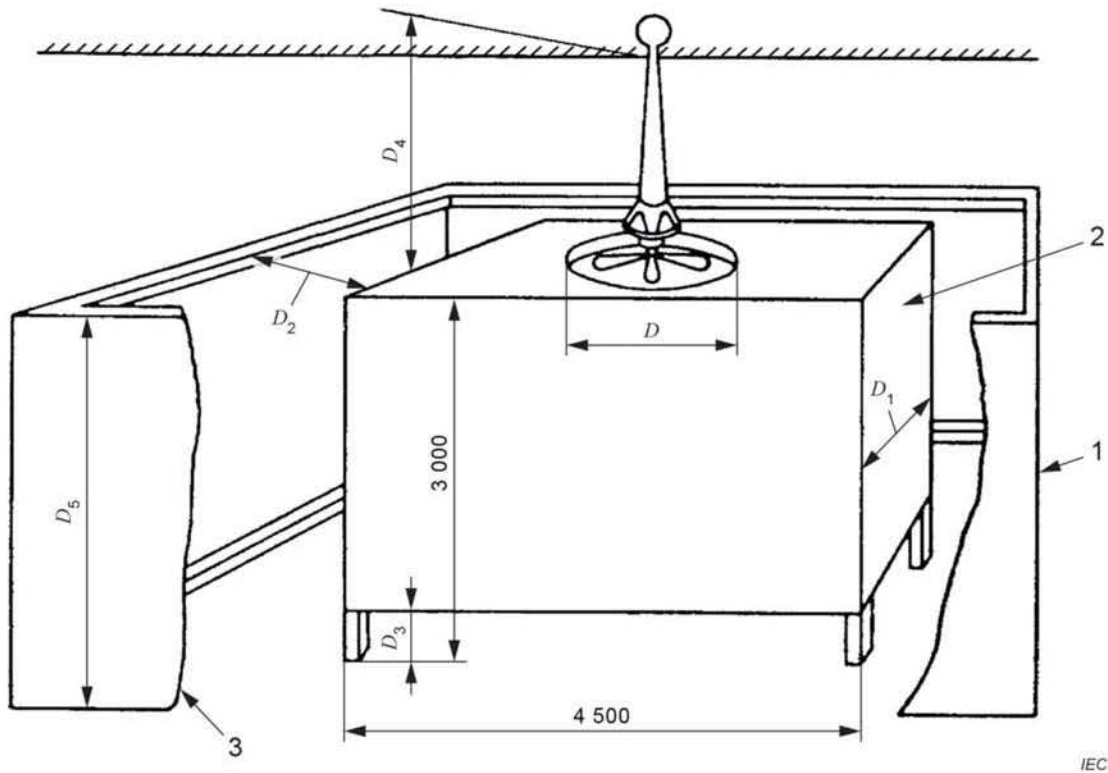
5.5 Measurement of sound power level

IEC 60704-2-7 applies.

5.6 Measurement of standby power

IEC 62301 applies.

Dimensions in millimetres



Key

- 1 outer screen;
- 2 test chamber;
- 3 outer screen cut away to show bottom opening of test chamber

$D_1 = 4\,500$ mm

$D_2 = 1\,000$ mm to $1\,250$ mm

$D_3 = 450$ mm

$D_4 =$ height to ceiling, $\geq 1\,000$ mm

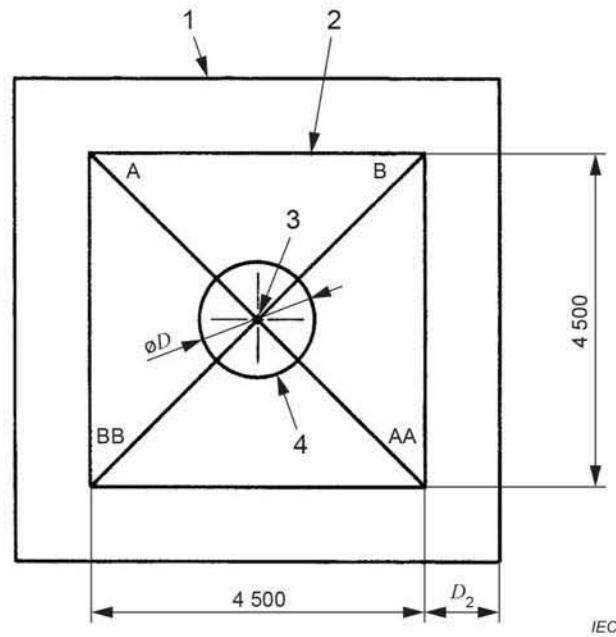
$D_5 =$ height of outer screen, $\geq 3\,000$ mm

D see 5.2.1.1 for the diameter D

<http://www.china-gauges.com/>

Figure 1 – Arrangement of test chamber and outer screen for ceiling fans

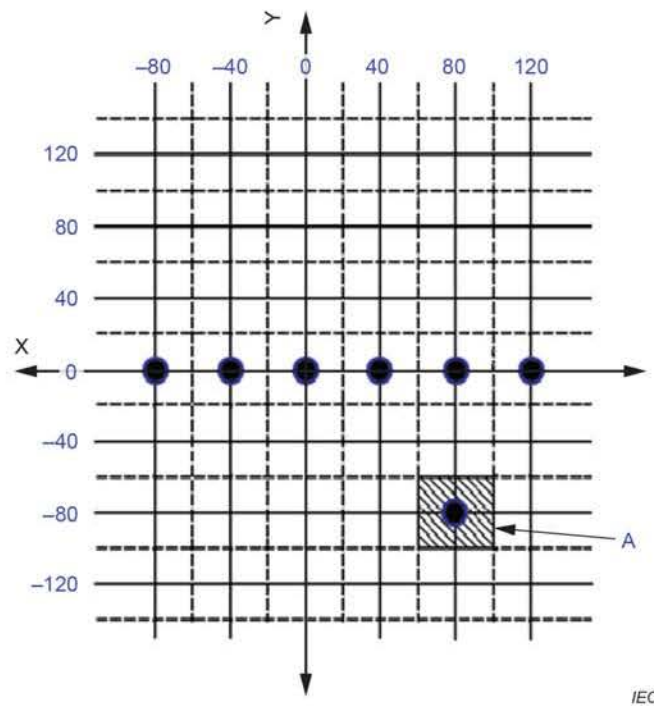
Dimensions in millimetres

**Key**

- 1 outer screen
- 2 test chamber
- 3 vertical axis of fan
- 4 top opening diameter D
- D see 5.2.1.1 for the diameter D
- D_2 see Figure 1

Figure 2 – Plan of test chamber and outer screen for ceiling fans

Dimensions in millimetres

**Key**

A area around the reading point used for calculating the flow

X x-axis of the measurement points grid

Y y-axis of the measurement points grid

Figure 3 – Measurement configuration for bladeless fans and tower fans

Annex A (informative)

Positioning of 4 anemometers in horizontal and vertical directions

A schematic sketch of positioning of 4 anemometers in horizontal and vertical directions is shown in Figure A.1.

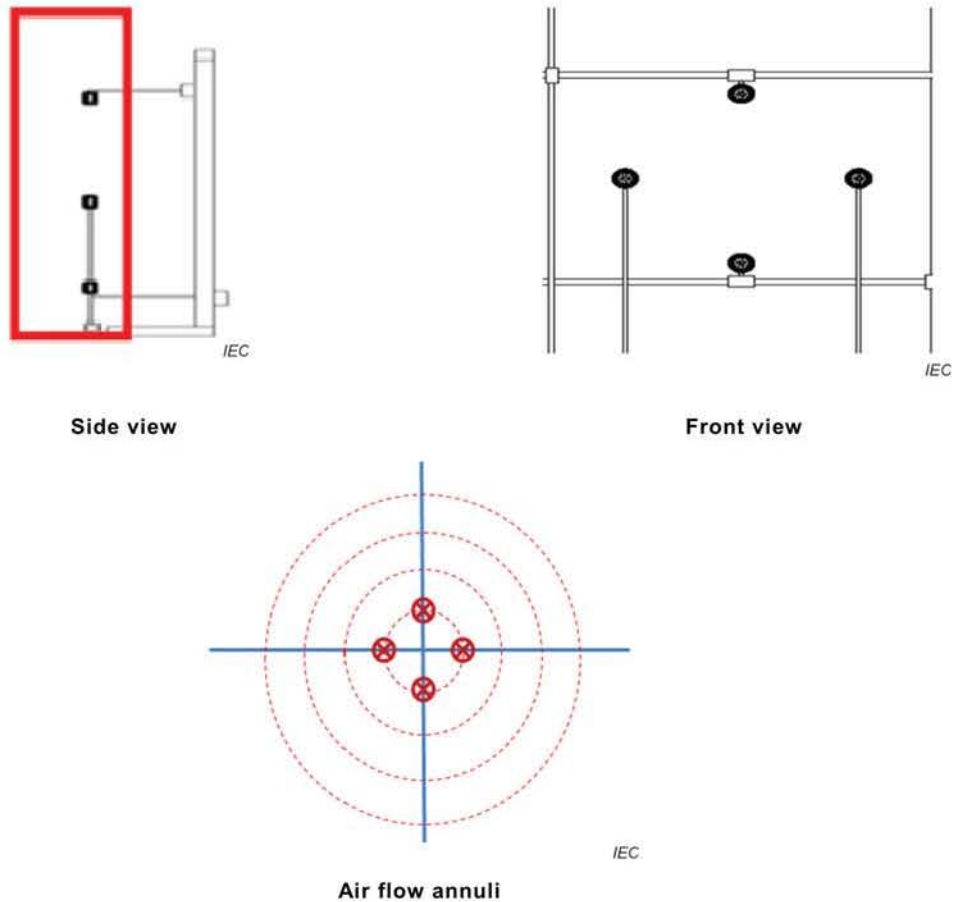


Figure A.1 – Configuration of 4 anemometers for conventional fans <http://www.china-gauges.com/>

Annex B (informative)

Dimensions, measuring ranges and accuracies of some vane anemometers¹

Dimensions, measuring ranges and accuracies for some vane anemometers are shown in Figure B.1.

Air-flow sensor	MiniAir64 micro	MiniAir64 mini	MiniAir64 macro
Measuring range	0,6...20 m/s	0,4...20 m/s	0,2...20 m/s
Measuring range	0,7...40 m/s	0,5...40 m/s	
Accuracy	± 1 % fs ± 3 % rdg	± 1 % fs ± 1,5 % rdg	± 1 % fs ± 1,5 % rdg
Operating temperature	–10... + 80 °C	–10... + 80 °C	–10... + 80 °C
External Power input	9 - 24 V DC	9 - 24 V DC	9 - 24 V DC
Output signal	4 - 20 mA 2-wire	4 - 20 mA 2-wire	4 - 20 mA 2-wire
Head dimensions	ø11 × 15 mm	ø22 × 28 mm	ø85 × 80 mm
Access opening	16 mm	36 mm	
Probe length	165 mm	175 mm	225 mm
Cable length	5 m	5 m	5 m
Storage temperature	–30... +70 °C	–30... +70 °C	–30... +70 °C

IEC

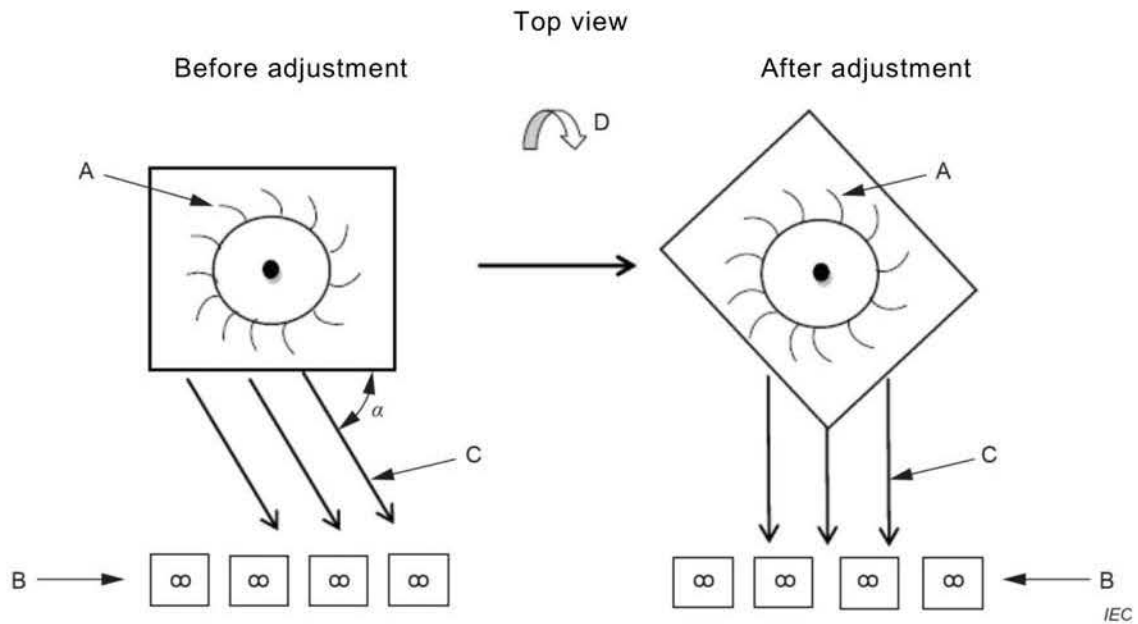
Figure B.1 – Typical anemometers for use when testing bladeless fans and tower fans

¹ This information is given for the convenience of users of this standard and does not constitute an endorsement by IEC of these anemometers.

Annex C (normative)

Setting air flow direction for tower fans

Adjustment of the tower fan is as shown in Figure C.1, so that the air velocity vector is perpendicular to the plane of the vane anemometer.



Key

- A tower fan under test
- B anemometer
- C air velocity vector
- D clockwise rotation of $90-\alpha$
- α angle between the air velocity vector and the horizontal

Figure C.1 – Tower fan positioning

Bibliography

IEC 60335-2-80, *Household and similar electrical appliances – Safety – Part 2-80: Particular requirements for fans*

IEC 60665, *A.C. ventilating fans and regulators for household and similar purposes – Methods for measuring performance*

IEC 61000-3-2, *Electromagnetic compatibility (EMC) – Part 3-2: Limits – Limits for harmonic current emissions (equipment input current ≤ 16 A per phase)*

IEC 61000-3-3, *Electromagnetic compatibility (EMC) – Part 3-3: Limits – Limitation of voltage changes, voltage fluctuations and flicker in public low-voltage supply systems, for equipment with rated current ≤ 16 A per phase and not subject to conditional connection*

CISPR 14-1, *Electromagnetic compatibility – Requirements for household appliances, electric tools and similar apparatus – Part 1: Emission*

CISPR 14-2, *Electromagnetic compatibility – Requirements for household appliances, electric tools and similar apparatus – Part 2: Immunity – Product family standard*

<http://www.china-gauges.com/>

British Standards Institution (BSI)

BSI is the national body responsible for preparing British Standards and other standards-related publications, information and services.

BSI is incorporated by Royal Charter. British Standards and other standardization products are published by BSI Standards Limited.

About us

We bring together business, industry, government, consumers, innovators and others to shape their combined experience and expertise into standards-based solutions.

The knowledge embodied in our standards has been carefully assembled in a dependable format and refined through our open consultation process. Organizations of all sizes and across all sectors choose standards to help them achieve their goals.

Information on standards

We can provide you with the knowledge that your organization needs to succeed. Find out more about British Standards by visiting our website at bsigroup.com/standards or contacting our Customer Services team or Knowledge Centre.

Buying standards

You can buy and download PDF versions of BSI publications, including British and adopted European and international standards, through our website at bsigroup.com/shop, where hard copies can also be purchased.

If you need international and foreign standards from other Standards Development Organizations, hard copies can be ordered from our Customer Services team.

Copyright in BSI publications

All the content in BSI publications, including British Standards, is the property of and copyrighted by BSI or some person or entity that owns copyright in the information used (such as the international standardization bodies) and has formally licensed such information to BSI for commercial publication and use.

Save for the provisions below, you may not transfer, share or disseminate any portion of the standard to any other person. You may not adapt, distribute, commercially exploit or publicly display the standard or any portion thereof in any manner whatsoever without BSI's prior written consent.

Storing and using standards

Standards purchased in soft copy format:

- A British Standard purchased in soft copy format is licensed to a sole named user for personal or internal company use only.
- The standard may be stored on more than one device provided that it is accessible by the sole named user only and that only one copy is accessed at any one time.
- A single paper copy may be printed for personal or internal company use only.

Standards purchased in hard copy format:

- A British Standard purchased in hard copy format is for personal or internal company use only.
- It may not be further reproduced – in any format – to create an additional copy. This includes scanning of the document.

If you need more than one copy of the document, or if you wish to share the document on an internal network, you can save money by choosing a subscription product (see 'Subscriptions').

Reproducing extracts

For permission to reproduce content from BSI publications contact the BSI Copyright and Licensing team.

Subscriptions

Our range of subscription services are designed to make using standards easier for you. For further information on our subscription products go to bsigroup.com/subscriptions.

With **British Standards Online (BSOL)** you'll have instant access to over 55,000 British and adopted European and international standards from your desktop. It's available 24/7 and is refreshed daily so you'll always be up to date.

You can keep in touch with standards developments and receive substantial discounts on the purchase price of standards, both in single copy and subscription format, by becoming a **BSI Subscribing Member**.

PLUS is an updating service exclusive to BSI Subscribing Members. You will automatically receive the latest hard copy of your standards when they're revised or replaced.

To find out more about becoming a BSI Subscribing Member and the benefits of membership, please visit bsigroup.com/shop.

With a **Multi-User Network Licence (MUNL)** you are able to host standards publications on your intranet. Licences can cover as few or as many users as you wish. With updates supplied as soon as they're available, you can be sure your documentation is current. For further information, email cservices@bsigroup.com.

Revisions

Our British Standards and other publications are updated by amendment or revision.

We continually improve the quality of our products and services to benefit your business. If you find an inaccuracy or ambiguity within a British Standard or other BSI publication please inform the Knowledge Centre.

Useful Contacts

Customer Relations
Tel: +44 345 086 9001
Email: cservices@bsigroup.com

<http://www.china-gauges.com/>

Subscription Support
Tel: +44 345 086 9001
Email: subscription.support@bsigroup.com

Knowledge Centre
Tel: +44 20 8996 7004
Email: knowledgecentre@bsigroup.com

Copyright and Licensing
Tel: +44 20 8996 7070
Email: copyright@bsigroup.com

BSI Group Headquarters
389 Chiswick High Road London W4 4AL UK